

KAREL

MS48

*Telephone System
Central Téléphonique
Centralita*



Mini Guide... Mini Guía

Introduction

In this guide you will find overall information about Karel MS48 Telephone System in 4 main chapters;

- 1) System Overview (pg 2): General technical information about KAREL MS48 Telephone System is presented.
- 2) Installation (pg 3): Installation of the system and its accessories is presented.
- 3) Basic Programming (pg 8): Basic programming steps to make the system run with basic functions are presented.
- 4) User Features (pg 10): Most commonly used user facilities are presented.

This guide is meant for quick reference only, please contact your dealer for detailed information.

I *System Overview*

Karel MS48 Telephone System in the basic capacity serves for 4 lines and 12 extensions, and with its modular structure, the capacity can be expanded up to 48 ports by adding expansion boards.

This system with its flexible hardware and rich software structure is designed to meet your requirements. The wide range of accessories is to enhance the functionality of the system whilst keeping the low cost levels.

The extension numbering starts at 11 and is a two digit number for the systems with capacities 4/12 and 6/18, whereas it starts at 111 and is a three digit number for bigger capacities. The line numbering starts at 01 and is a two digit number for all capacities.

The system parts and accessories :

- 1) EXP48 (4/12) : Expansion Module for 4 lines and 12 extensions.
- 2) EXP48 (2/6) : Expansion Module for 2 lines and 6 extensions.
- 3) EXP48 (0/16) : Expansion Module for 16 extensions.
- 4) SPS48 : Power Card of the system.
- 5) LT48(-H) : Feature Phone, with a multi lingual, menu driven 2-line x 16-character LCD, 10 programmable double function memory keys with dedicated LEDs and 6 special function keys. Handsfree is optional.
- 6) OP48(-H) : System Console, with a Busy Display Panel to monitor the states of all lines and extensions, 8-character display to show the time, the number dialed and some system features, and 6 special function keys. Handsfree is optional.
- 7) DSS80 : Direct Station Select Module, with 80 programmable double function memory keys with dedicated LEDs.
- 8) DSS40 : Direct Station Select Module, with 40 programmable double function memory keys with dedicated LEDs, a Busy Display Panel and a 2-character display to monitor the states of all ports.
- 9) EVM48 : Integrated Auto Attendant & Voice Mail Module to serve as a robot operator and let the users leave voice messages to private mailboxes.
- 10) CM48-W : Call Record Listing Interface to establish the connection to a PC to serve as a statistics and database program for the call records.
- 11) PK48-D : PC-Console Interface to serve as a PC-Console and a maintenance module.
- 12) RS232 : RS232 Interface for connection to a serial printer to have the call records printed, an alternative to CM48-W.
- 13) KY16 : Special Karel Mini Printer (16-column) to have the call records printed, an alternative to RS232 and CM48-W.
- 14) PG100 : Local Pager to page the extensions equipped with beepers (receivers) so that they can pick up their calls or attend later.
- 15) DY26 : Doorphone.
- 16) FPBASE & FPEXP : Filter & Protection Units for four lines or remote extensions.

Installation

It is recommended to install the MS48 system and accessories (if any) in the following order:

- 🔧 Hanging the system on the wall
- 🔧 Installing DY26 Doorphone
- 🔧 Installing CM48-W Call Record Listing and/or PK48-D PC-Console or RS232 Serial Printer Interfaces
- 🔧 Installing EVM48 Auto Attendant & Voice Mail Module
- 🔧 Installing EXP48 Expansion Cards & MFR48 MF Receiver Card
- 🔧 Installing KY16 Mini Printer
- 🔧 Wiring the extensions and lines
- 🔧 Installing PG100 Local Pager
- 🔧 Installing FPBASE & FPEXP Filter & Protection Units

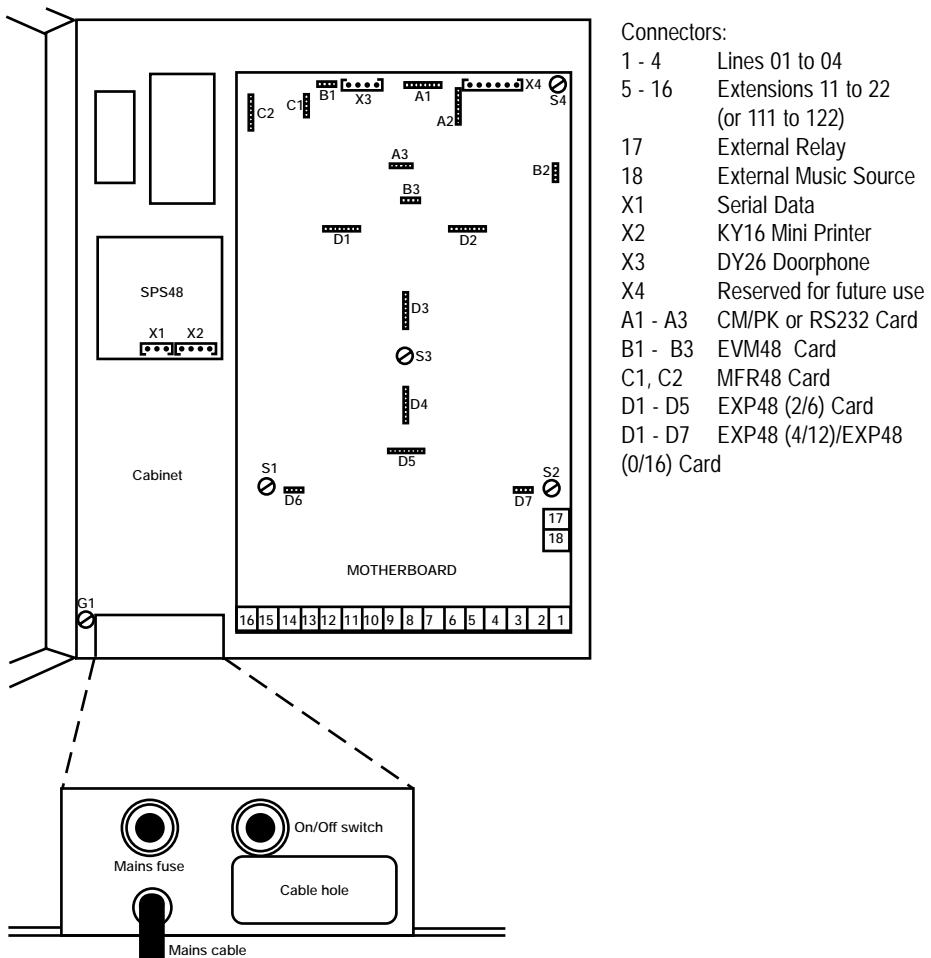


Figure 1 - Locations of connectors on the motherboard

II.1 HANGING THE SYSTEM ON THE WALL

- 1) Place the template on the wall to select the proper location for the system.
- 2) Drill two holes as shown on the template, place the screws and hang the system through the pear holes at the back of the cabinet.

II.2 INSTALLING DY26

- 1) Hang the doorphone on the wall.
- 2) Pass the free end of the cable through the cable hole at the bottom part of the system cabinet.
- 3) Insert the 4-pin plug into the Doorphone socket (X3) on the motherboard (see Figure 1).

II.3 INSTALLING CM48-W AND/OR PK48-D OR RS232

To install the hardware:

- 1) Insert the pin connectors of the card into the A1-A3 connectors on the motherboard (see Figure 1).
- 2) Pass the pin connector end of the cable through the cable hole at the bottom part of the cabinet.
- 3) Insert the pin connector into the socket on the PKCR or RS232 card.
- 4) For the PKCR card, connect the 25-pin D-type plug to the security plug and the security plug to the PC.
For the RS232 card, connect the 25-pin D-type plug to your serial printer.

To set up the CM48-W /PK48-D software on the PC:

- 1) Insert the diskette into the PC.
- 2) Run INSTALL.EXE file in the diskette and follow up the prompted commands.

NOTE: Using a single PKCR card, a cable and a security plug, you can set up both the CM48-W and PK48-D programs on the PC.

II.4 INSTALLING EVM48

- 1) Remove the screw S4 on the motherboard and fix the brass card holder instead (see Figure 1).
- 2) Insert the pin connectors of the card into the B1-B3 connectors on the motherboard (see Figure 1). Then fix the screw to the brass card holder to fix the card.

To install optional EVM-FE (Auto Attendant Expansion Module) or EVM-DE (Voice Mail Expansion Module):

- 1) Insert the pin connectors on the EVM-FE / EVM-DE card to the male ones on the EVM48 card (see Figure 2).

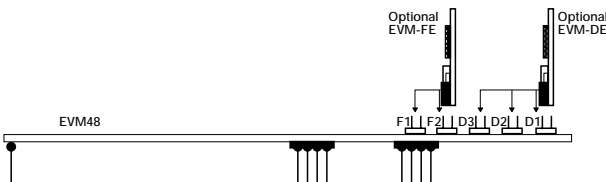


Figure 2 - Installation of EVM-FE and EVM-DE

II.5 INSTALLING EXP48

- 1) Remove the screws S1-S3 from the motherboard and fix the brass card holders instead (see Figure 1).
- 2) Insert the pin connectors of the EXP48 (2/6) card to the D1-D5 connectors or the pin connectors of the EXP48 (4/12) / EXP48 (0/16) card to the D1-D7 connectors on the motherboard (see Figure 1). Then fix the screws to the brass card holders to fix the card.
- 3) If a second expansion board is to be inserted on the first one, then instead of fixing the screws as explained in item "2", fix the brass card holders and insert the pin connectors of the second expansion card to D1-D7 connectors on the first expansion board. Then fix the screws to fix the card.
- 4) If an EXP48 (0/16) or EXP48 (4/12) card is installed on the motherboard, then the MFR48 card must be installed as well by inserting the pin connectors on the MFR48 card to the C1&C2 connectors on the motherboard (see Figure 1).

NOTE: At most two expansion cards can be installed on an MS48, but, both cannot be EXP48 (2/6) or EXP48 (0/16).

NOTE: Screw "S2" is very important as chassis ground of the system is carried to the expansion boards via the brass card holder fixed here. Electrical safety of the system depends on this screw.

NOTE: If there are two EXP48 cards and if one of them is EXP48 (2/6), EXP48 (2/6) must be installed on top.

II.6 INSTALLING KY16

- 1) Adjust the dipswitches on the KY16 card; 1 and 2 to OFF, 3 and 4 to ON.
- 2) Hang KY16 on the wall.
- 3) Pass the 4-pin free end of the KY16 data cable through the cable hole at the bottom of the cabinet and plug it to X2 on the SPS48 card (see Figure 1).
- 4) Plug in the mains cable of KY16.

II.7 WIRING OF THE EXTENSIONS AND LINES

- 1) Pass the cables of the extension telephones and lines through the cable hole (see Figure 1).
- 2) Insert the two wire (A-B wires) of the telephone cable or line cable to the relevant connector (Connectors 1 to 16 in Figure 1).

To make the data wiring of LT48(-H), OP48(-H), DSS80 and/or DSS40 :

- 3) Pass the 3-pin free end of the System Data Cable through the cable hole and plug it to X1 connector on SPS48 card (see Figure 1 and 3).
- 4) Connect Data, +12 VDC, GND signals from the relevant pins of the connection box of system data cable to the relevant pins of the connection box of the telephone data cable of LT48(-H), OP48(-H), DSS80 or DSS40 in parallel. In other words: All "+" terminals must be connected among themselves, all "-" terminals must be connected among themselves and all "D" terminals must be connected among themselves.
- 5) For LT48(-H) and OP48(-H) connect A-B wires from the relevant extension connector to the A-B pins in the connection box of the telephone data cable.
- 6) Connect one of RJ11 plug ends of the telephone data cable to the connection box and the other end to the LT48(-H), OP48(-H), DSS80 or DSS40 (see Figure 3).

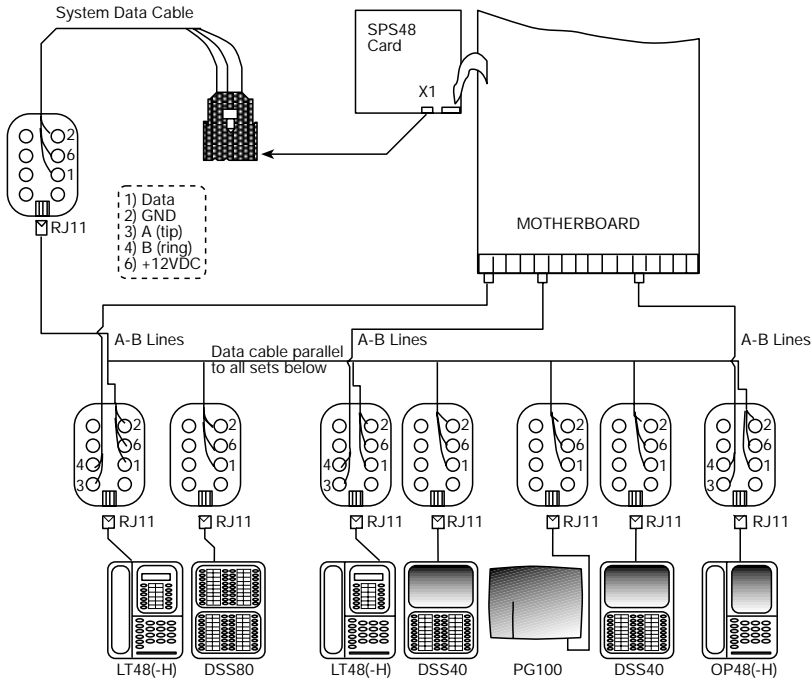


Figure 3 - Wiring Karel Special Telephone, DSS and PG100 on MS48

To set the extension numbers:

- OP48(-H): Keep the "Message" key pressed till the extension number starts blinking on the display and "A" appears next to it. Then, press the same key repeatedly till the correct extension number appears on the display.
- LT48(-H): Keep the "H/R" key pressed till the extension number starts blinking on the display. Then, press the same key repeatedly till the correct extension number appears on the display.
- DSS80: Press the "A" key till the 3rd beep. Then enter the extension number.
- DSS40: Press the "Pa/Pr" key till the 2nd beep. Then, press the same key repeatedly till the correct extension number appears on the display.

NOTE: LT48(-H), OP48(-H), DSS80 and DSS40 can only be connected to the first 16 extensions of the system.

NOTE: A total of 10 LT48(-H), OP48(-H), DSS80 or DSS40 units may be connected to the system.

II.8 INSTALLING PG100

- Hang the PG100 on the wall.
- Connect the Data, +12 VDC and GND signals of System Data Cable in parallel to the connection box of the PG100 Data Cable and plug the RJ plug to the Data connector at the bottom face of the local pager (see Figure 3).

II.9 INSTALLING FPBASE AND FPEXP:

To install the FPEXP modules on an FPBASE or on another FPEXP:

- 1) Remove the screws at the corners of base card.
- 2) Pass the bolt ends of the brass card holders through the holes at the corners of the FPEXP card. Then place the plastic spacers to three of these bolt ends. For the fourth brass card holder which is lying on the grounding pin of the FPBASE unit, fix the two nuts to the bolt end as a grounding spacer.
- 3) Fix the bolt ends to the holes of the bottom module.
- 4) Place the FPEXP cover on the card and fix the screw to the brass card holder at four corners (see Figure 4).

To make the proper wiring:

- 1) Connect the two wires of the PTT line or far extension to the PTT connector of FPBASE or FPEXP modules (see Figure 5).
- 2) Connect the two wires from the PABX connector of FPBASE or FPEXP to the relevant line or extension connector of the system (see Figure 1 and Figure 5).
- 3) Connect the GND pin on the FPBASE unit to the chassis ground of the system at G1 (see Figure 1).

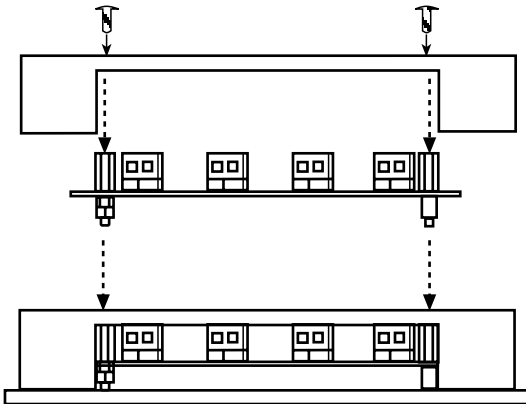


Figure 4 - Installation of FPEXP on an FPBASE

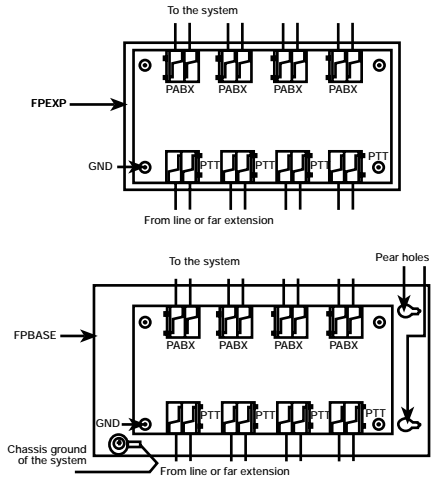


Figure 5 - Wiring of FPBASE & FPEXP

III Basic Programming

After the system is powered on, it will take a couple of minutes for the system to initialize itself and recognize all the peripherals automatically. Then it is necessary to do some basic programming to make the system run properly. To do this, the system must be put in the programming mode by dialing 877777 from the system supervisor's telephone. After all the necessary programs are entered, the programming mode must be exited by dialing 877778 again from the system supervisor's telephone.

System supervisor is the operator of the system by default (extension 11 or 111).

First "Loading the country specific parameters" program must be entered (section III.3).

The codes in sections III.1, III.2, III.12 were given as the basic settings for the system even though they are not program codes, but operator only facilities.

III.1 SETTING THE TIME

1) 88 + Hour (00..23) + Minute (00..59)

III.2 SETTING THE DATE

1) 833 + Day (01..31) + Month (01..12) + Year (00..99)

III.3 LOADING THE COUNTRY SPECIFIC PARAMETERS

1) 8009 + Country Parameter (0..8)

☞ 1	: Greece	2	: Poland & Pakistan	3	: Portugal
4	: Spain	5	: Russia & CIS Countries	6	: Romania
7	: Malta	8	: Republic of South Africa	0	: Others

2) 8259

III.4 PUTTING THE LINES IN SERVICE

1) 89 01 9 0

2) 89 + Line Number + 1 + Signaling (0 / 1)

☞ 1	: DTMF signaling
0	: DP signaling

III.5 DEFINING EXTENSIONS' CALL AUTHORITY LEVELS

1) 887 11 9 0

2) 887 + Extension Number + Call Authority Level (0 / 1 / 2 / 3 / 4 / 5)

☞ 0	: Only internal calls
1	: Internal & local calls
2	: Internal & local & long distance calls
3	: All calls
4	: Only the numbers in common pool & internal calls
5	: Only the numbers in common pool & internal & local calls

III.6 DEFINING THE LOCAL PREFIX

1) 80074 + Local Prefix (at most three digits)

☞ To cancel : 8008

III.7 SHARING LINES AMONG THE EXTENSIONS

To define the extension groups:

- 1) 801 + Extension Number + Group (00..15)
☞ Extensions in group 15 can access any idle line.

To dedicate the lines to the extension groups:

- 1) 802 + Line Number + Extension Group Numbers
☞ You can enter as many extension group numbers up to 15 as you like. If 15 is entered as extension group then that line cannot be accessed by any extension.
☞ Hang up to end the program.

III.8 DEFINING RINGING / NIGHT RINGING EXTENSIONS

- 1) 800 + Line Number + Ringing Extension Number + 0 + 0 + 0 + 0
(NOTE: The fourth 0 can be entered only if Voice Mail is installed.)
- 2) 879
- 3) 800 + The Same Line Number + Night Ringing Extension Number
- 4) 878

III.9 DEFINING PARALLEL OPERATORS

- 1) 8085 + Extension Number To Ring In Parallel With The Operator.
☞ At most four extensions may be defined as parallel operators.
☞ To cancel : 8086

III.10 RECORDING AUTO ATTENDANT MESSAGES

- 1) 864 + Message Number (00..23) + Message
☞ 00 : Greeting message
☞ 02 : Busy Extension message
☞ 04 : Invalid Number message
☞ 06 : Inaccessible Extension message
☞ 08 : Night Mode Greeting message
☞ 10 : Password message
☞ 01 : Missing Digit message
☞ 03 : No Answer message
☞ 05 : Wait message
☞ 07 : Transfer message
☞ 09 : DISA Greeting message
☞ 11..23 : General purpose messages
☞ To delete all Auto Attendant messages : 86444

III.11 DEFINING AUTO ATTENDANT/DISA LINES

- 1) 8070 + Line Number + Line Type (8 / 9 / 0)
☞ 8 : Auto Attendant line
☞ 9 : DISA line
☞ 0 : Normal line

III.12 ACTIVATING AUTO ATTENDANT LINES

- 1) 8741
☞ Dial 8741 after defining all Auto Attendant lines and recording all messages.
☞ To deactivate : 8740

III.13 DEFINING CALL RECORD LISTING DEVICE

- 1) 877 + 5 + Device Parameter (0 / 1 / 2)
☞ 0 : PC or serial printer
☞ 1 : Condensed mode serial printer
☞ 2 : KY16 Mini Printer

Karel MS48 Telephone System has lots of more programs to meet your specific requirements. Please contact

IV *User Features*

In this section, feature activations for users with standard telephones are presented. LT48(-H) Feature Phone users do not need to follow these steps as they can easily process their calls by following the menu driven prompts of their telephones. DSS80 or DSS40 users may also activate most of the given facilities by a single key stroke.

Ext. Nr.	☞	Extension Number
PTT Nr.	☞	External Number
Line Nr.	☞	Line Number
Mes.	☞	Message
#	☞	Hook flash; either with "#" key (on DTMF telephones) or, with "Flash" key or, with "R" key or, with "Hook-switch".
*	☞	Hang up; either with "*" key (on DTMF telephones) or, with "Hook-switch".

MAKING INTERNAL CALLS

To call the operator	0
To call an extension	Ext. Nr.
To page an extension	867 + Ext. Nr.
To page an extension group	865 + Ext. Nr (any extension from the group)
To page all extensions	866
To camp on a busy extension or line	Wait
To signal the called busy extension	1
To intrude a conversation	0 or 5
To call back a busy or non answering extension	81
To call back a busy line	81
To cancel call back	81

MAKING EXTERNAL CALLS

To make a call through any line	9 + PTT Nr.
To make a call through a specific line	7 + Line Nr. + PTT Nr.
To make a call and mark it in the call records	790 + PTT Nr.
To make a call and associate it with an account code	797 + Account Code + PTT Nr.
To make a call from any phone to your account	797 + Forced Account Code + PTT Nr.
To make a call from any phone using your password	799 + Your Ext. Nr. + Password + PTT Nr.
To make a call from your locked phone	9 (or 7+Line Nr.) + Password + PTT Nr.
To call a number from the common pool	5 + Common Pool Nr.
To call a number from your private pool	6 + Private Pool Nr.
To redial the last number	60
To Auto-dial from common pool	78 + Common Pool Nr.
To Auto-dial from private pool	77 + Private Pool Nr.
To Auto-dial the last number	770
To cancel Auto-dial	77 + *

ANSWERING CALLS

To answer a call	Lift the handset
To pick up an external call	3
To pick up the call of an extension	82 + Ext. Nr.
To pick up the call of an extension in your group	5

FORWARDING CALLS

To forward calls to an extension (from your phone)	85 + Ext. Nr.
To forward calls to an extension (from any phone)	855 + Your Ext. Nr. + Ext. Nr.
To cancel call forwarding (from your phone)	85 + *
To forward unanswered calls to an extension	86 + Ext. Nr.
To cancel unanswered call forwarding	86 + *
To disable / re-enable forwarding to your phone	889 / 888

PROCESSING CALLS

To put a call on hold /retrieve a call on hold	#
To park a call / retrieve a parked call	# + 4 / 4 (# + 3 / 3 for the operator)
To retrieve a call parked by another extension	44 + Parking Ext. Nr.
To retrieve a call parked by the operator	4 + Parked Line Nr.
To transfer a call	# + Ext. Nr.
To make three party conference;	
with two external parties	9 + PTT Nr. + # + 4 + 9 + PTT Nr. + # + 9
with two extensions	Ext. Nr. + # + 5 + Ext. Nr. + #
with one external party and one extension	9 + PTT Nr. + # + 5 + Ext. Nr. + #
To transfer an external call to an external number	# + 4 + 9 + PTT Nr. + # + 6
To make a hook-flash to an external line	# + 9
To increase the receive level of an external call	# + 55

PASSWORD SERVICES

To define a password	836 + Password (000..250)
To change the password	836 + Current password + New password
To delete the password	836 + Password + *
To lock your phone	837 + Password + 1
To unlock your phone	837 + Password + 0

REMINDER SERVICES

To activate one time reminder	838 + Hour + Minute
To activate one time reminder with message ⁽¹⁾	8389 + Hour + Minute + Mes.
To activate the daily reminder	8387 + Hour + Minute
To activate the daily reminder with message ⁽¹⁾	83879 + Hour + Minute + Mes.
To cancel any reminder	838 + *

CONFIGURING YOUR PHONE

To set / cancel your phone ring once for each call	831 / 830
To listen to music from your handsfree phone/cancel	857 / 857
To activate / deactivate your beeper ⁽²⁾	741 / 740
To activate / deactivate the headset operation	742 / 742
To enter numbers in your private pool	84 + Private Pool Nr. + PTT Nr.

⁽¹⁾ Available only if Voice Mail is installed.

⁽²⁾ Available only if Local Pager is installed.

MESSAGE SERVICES ⁽³⁾

To leave a message to an extension	82 + Mes.
To listen to new messages left for you	8646
To listen to all messages left for you	8645
To save a message while listening	8
To rewind a message while listening	0
To skip a message while listening	1
To clear a message while listening	9
To record your external call	# + Your Ext. Nr.
To leave a temporary absent message to your phone	8648 + Mes.
To record an answering machine message	7372
To activate your answering machine message	7371
To deactivate your answering machine message	7370
To clear your answering machine message	7373

HOTEL SERVICES

To activate baby monitor state from the room	858 + Leave the phone off hook
To monitor the room from another phone	Your Room Nr. + 9
To set the room state	730 + 0 (clean) / 1 (being cleaned) / 2 (dirty)
To activate meet me call (by the staff)	738 + Staff Nr. (0..9)
To make a meet me call (by the operator)	738 + Staff Nr. (0..9)

DOORPHONE SERVICES

To call the doorphone	110 (10 for capacities of 4/12 or 6/18)
To open the door	151 (29 for capacities 4/12 and 6/18)
To open the door while speaking to doorphone	2

CALL RECORD LISTING SERVICES ⁽⁴⁾

To list the call records of an extension or line	8766 + Ext. Nr. or 0+ Line Nr.
To list all the call records / stop listing	8767 / 8768
To list the total cost of calls of an extension	8764 + Ext. Nr.
To clear the call records of an extension or line	8765 + Ext. Nr. or 0 + Line Nr.
To list the numbers in the common pool	746 or 826
To list the parameters of an extension or a line	839 + Ext. Nr. or 0 + Line Nr.
To list the parameters of all extensions and lines	8399
To feed a page on KY16 Mini Printer	8763
To feed a line on KY16 Mini Printer	8762
To pause KY16 Mini Printer	8760
To restart KY16 Mini Printer	8761

⁽³⁾ Available only if Voice Mail is installed.

⁽⁴⁾ Available only for the operator if any Call Record Listing device is installed.

OPERATOR ONLY SERVICES

To transfer an external call and receive it back after the extension hangs up	# + 0 + Ext. Nr.
To park / retrieve multiple calls	# + 4 / 4
To activate the internal music source	8322
To activate the external music source	8321
To deactivate music	8320
To set time	88 + Hour + Minute
To set date	833 + Day + Month + Year (two digits)
To activate/ deactivate night mode	879 / 878
To enter numbers in the common pool	834 + Common pool no + PTT Nr.
To set alarm time for an extension	8388 + Ext. Nr. + Hour + Minute
To set alarm time with message for an extension ⁽⁵⁾	83889 + Ext. Nr. + Hour + Minute + Mes.
To cancel the alarm of an extension	8388 + Ext. Nr. + *
To enable / disable the parallel operators	8561 / 8560
To forward external calls to an external number	835 + Line Nr. + PTT Nr.
To cancel external call forwarding	835 + Line Nr. + *
To set the state of the hotel room (Reserved) / 4 (Out of service)	730 + Ext. Nr. + 1 (Vacant) / 2 (Occupied) / 3
To query the state of a hotel room	731 + Ext. Nr. + 1 / 2 (print) + 1 / 2 (print)
To set check-in / check-out	732 + Ext. Nr. + 1 (check-in) / 2 (check-out)

⁽⁵⁾ Available only if Voice Mail is installed.

Footnote

If your system is malfunctioning in any way, please refer to the information in this guide. Should the problem persist, please contact the installer or a dealer in your country.

Some operations included in this manual are country dependent, therefore may work differently or not function at all in your country. In this case please contact your authorized distributor for the actual specifications.

KAREL MS48
Central Téléphonique

Introduction

Ce guide présente et explique les fonctionnalités du central téléphonique KAREL MS48 en quatre parties :

- 1) Présentation du Système KAREL MS48 (page 16) : caractéristiques techniques principales.
- 2) Installation (page 17) : Installation du Système et des accessoires.
- 3) Programmation (page 22) : Etapes de programmation des fonctions de base.
- 4) Options d' Utilisation (page 24) : Les options les plus employées par les utilisateurs.

Ce manuel résumé est conçu pour une consultation rapide, pour de plus amples informations, consultez votre revendeur.

I *Presentation du Système*

Le système téléphonique KAREL MS48 dans sa version de base dessert 4 lignes réseau et 12 postes intérieurs. Grâce à sa conception modulaire, la capacité peut-être portée jusqu'à 48 ports en ajoutant des cartes d'extension.

Le système avec sa structure évolutive et son logiciel très complet est conçu pour répondre au mieux à vos attentes. Le large choix d'accessoires permet d'étendre les fonctionnalités techniques du système au coût minimum.

La numérotation des postes intérieurs commence à 11 et comporte 2 digits pour les capacités de 4/12 et de 6/18, et 3 digits (commençant à 111) pour les autres capacités. Les lignes réseau sont numérotées à partir de 01 et n'ont que 2 digits quel que soit leur nombre.

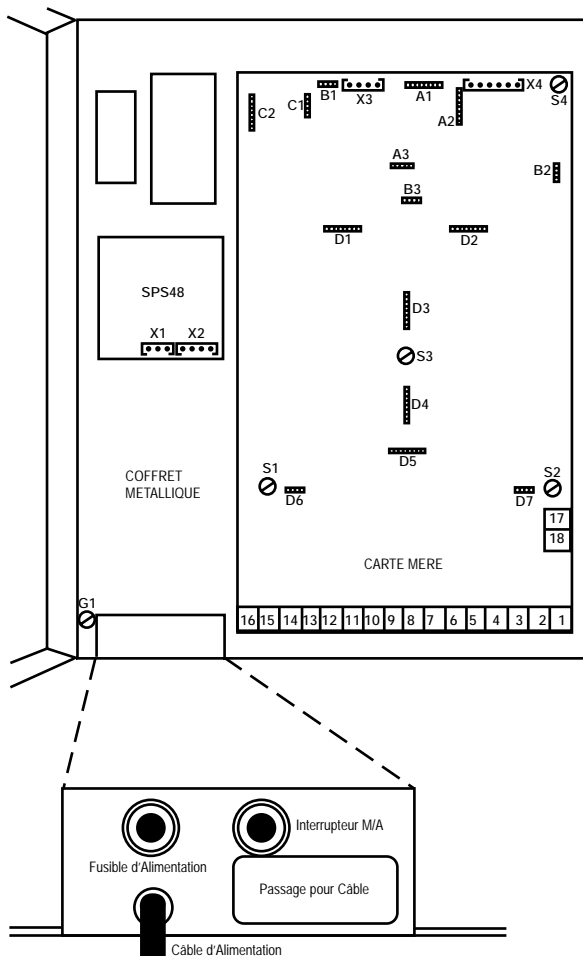
Les différents modules et accessoires :

- 1) EXP48 (4/12) : Module d'Extension pour 4 lignes réseau et 12 postes intérieurs.
- 2) EXP48 (2/6) : Module d'Extension pour 2 lignes réseau et 6 postes intérieurs.
- 3) EXP48 (0/16) : Module d'Extension pour 16 postes intérieurs.
- 4) SPS48 : Carte Alimentation du système.
- 5) LT48(-H) : Poste téléphonique interactif avec menu multilingue sur afficheur LCD de 2 lignes de 16 caractères, 10 touches mémoires double-fonctions programmables avec des voyants LEDs associés et 6 touches de fonctions spéciales. Mains libres en option.
- 6) OP48(-H) : Poste Opérateur du Système, avec un afficheur d'occupation des lignes réseau et postes intérieurs, un afficheur LCD de 8 caractères pour indiquer l'heure, le numéro composé et quelques fonctions du système et 6 touches pour les fonctions spéciales. Mains libres en option.
- 7) DSS80 : Module de Sélection Directe avec 80 touches mémoires double-fonctions programmables avec des voyants LEDs associés.
- 8) DSS40 : Module de Sélection Directe avec 40 touches mémoires double-fonctions programmables avec des voyants LEDs associés et un afficheur d'occupation des lignes réseau et postes intérieurs et un écran de 2 caractères pour piloter l'état de tous les ports.
- 9) EVM48 : Module Intégré répondeur et aiguillage automatique, permettant aux utilisateurs de laisser des messages dans les boîtes vocales de chacun des postes.
- 10) CM48-W : Interface d'enregistrement et archivage des appels effectués à relier au PC pour servir de base de données et de programme statistique des appels extérieurs réalisés.
- 11) PK48-D : Interface Console - PC pour la maintenance du système.
- 12) RS232 : Interface RS232 pour la connexion à une imprimante série pour pouvoir imprimer la liste des appels effectués. Se substitue à l'interface CM48-W.
- 13) KY16 : Mini imprimante KAREL Spéciale (16 colonnes) pour l'impression de la liste des appels effectués. Se substitue aux interfaces RS232 et CM48-W.
- 14) PG100 : Emetteur local pour joindre les postes équipés avec des beepers (récepteurs) afin qu'ils puissent prendre leurs appels ou les rappeler plus tard.
- 15) DY26 : Téléphone-portier.
- 16) FPBASE & FPEXP : Unités de filtre et protection pour 4 lignes réseau ou postes éloignés.

II Installation

Il est recommandé d'installer le système MS48 et ses accessoires (éventuellement) dans l'ordre suivant:

- 🔧 Fixer le système sur le mur
- 🔧 Installer le portier DY26
- 🔧 Installer l'interface CM48-W (Interface d'enregistrement et archivage des appels effectués) et/ou le PK48-D(Interface Console - PC) ou l'interface imprimante série RS232
- 🔧 Installer l'EVM48 (Module Intégré répondeur et aiguillage automatique)
- 🔧 Installer les cartes d'extension EXP48 et la carte récepteur MFR48 MF
- 🔧 Installer la Mini Imprimante KY16
- 🔧 Câbler tous les postes intérieurs et les lignes réseau
- 🔧 Installer l'Emetteur Local PG100
- 🔧 Installer les accessoires FPBASE & FPEXP (Unités de filtre et protection)



Connecteurs dédiés:

- 1 - 4 Lignes réseau : 01 à 04
- 5 - 16 Postes intérieurs : 11 à 22
(ou 111 à 122)
- 17 Relais Externe
- 18 Source de Musique Externe
- X1 Port Série "Datas"
- X2 Mini-Imprimante KY16
- X3 Téléphone Portier DY26
- X4 Réservé pour utilisation future
- A1 - A3 Interfaces CMPK ou RS232
- B1 - B3 Carte EVM48
- C1, C2 Carte MFR48
- D1 - D5 Carte EXP48 (2/6)
- D1 - D7 Cartes EXP48 (4/12) / EXP48 (0/16)

Figure 1 - Emplacement des connecteurs sur la carte mère.

II.1 FIXATION DU SYSTÈME SUR LE MUR

- 1) Placer la platine sur le mur pour visualiser le positionnement approprié du système.
- 2) Percez deux trous aux emplacements indiqués sur la platine, placer les vis et fixez le système au moyen des trous oblongs situés sur le fond du coffret.

II.2 INSTALLATION DU PORTIER DY26

- 1) Fixez le portier sur le mur.
- 2) Passez l'extrémité libre du câble par le trou situé au fond du coffret du système.
- 3) Insérez la fiche à 4 broches dans la fiche femelle correspondant au portier (X3) sur la carte mère (voir Schéma 1).

II.3 INSTALLATION DES INTERFACES CM48-W ET / OU PK48-D OU RS232

Installation des cartes interfaces :

- 1) Insérez les connecteurs à broches des cartes dans les fiches correspondantes A1-A3 de la carte mère (voir Schéma 1).
- 2) Passez les câbles et les connecteurs par le trou au fond du coffret du système.
- 3) Insérez les connecteurs dans les fiches correspondantes des cartes PKCR ou RS232.
- 4) Pour la carte PKCR, connectez la fiche Sub D 25 à la prise de sécurité et celle-ci au PC.
Pour la carte RS232, connectez la fiche Sub D 25 à votre imprimante série.

Pour initialiser le logiciel CM48-W /PK48-D depuis votre PC:

- 1) Insérez la disquette d'installation sur le PC.
- 2) Activez le fichier "INSTALL.EXE" de la disquette et suivez les instructions du menu.

NOTE: en utilisant la carte PKCR, un seul câble et une fiche de sécurité unique, l'on peut installer les deux logiciels CM48-W et PK48-D sur le PC.

II.4 INSTALLATION DE L' EVM48

- 1) Retirez la vis S4 sur la carte mère et fixez le support de cartes en laiton à sa place (voir Schéma 1).
- 2) Insérez le connecteur de la carte dans la fiche B1-B3 de la carte mère (voir Schéma 1). Fixez ensuite la vis au support de cartes en laiton pour serrer la carte .

Pour installer un module EVM-FE optionnel (Module intégré répondeur et aiguillage automatique) ou EVM-DE (Module Serveur Automatique) :

- 1) Insérez les connecteurs femelles des cartes EVM-FE / EVM-DE sur les connecteurs mâles de la carte EVM48 (voir Schéma 2).

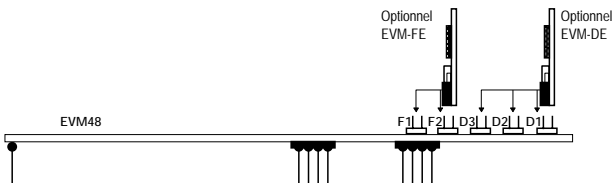


Figure 2 - Installation des cartes EVM-FE et EVM-DE

II.5 INSTALLATION DES CARTES EXP48

- 1) Retirez les vis S1-S3 de la carte mère et fixez le support de cartes en laiton à leur place (voir Schéma 1).
- 2) Insérez les connecteurs de la carte EXP48 (2/6) sur les fiches D1-D5 de la carte mère ou bien les connecteurs des cartes EXP48 (4/12) / EXP48 (0/16) sur les connecteurs D1- D7 de la carte mère (voir Schéma 1). Ensuite fixez les vis au support de cartes en laiton pour serrer la carte.
- 3) Si une deuxième carte d' extension doit être ajoutée sur la première, alors, au lieu de fixez les vis comme expliqué au point "2" ci-dessus, fixez le support de cartes en laiton et insérez les connecteurs de la seconde carte d'extension aux connecteurs D1-D7 de la première carte d'extension. Ensuite serrez les vis pour tenir la carte.
- 4) Si une carte EXP48 (0/16) ou EXP48 (4/12) est installée sur la carte mère, alors la carte MFR48 doit être aussi installée en insérant les connecteurs de la carte MFR48 sur les connecteurs C1&C2 de la carte mère (voir Schéma 1).

NOTE: Au plus deux cartes d'extension peuvent être installées sur le MS48, cependant, ces deux cartes ne peuvent être les cartes EXP48 (2/6) ou EXP48 (0/16).

NOTE: La vis "S2" est très importante en tant que "terre" du châssis du système qui est conduite aux cartes d' extension par le biais du support de cartes en laiton qui y est fixé.

NOTE: S'il y a deux cartes EXP48 et si l'une d'entre elles est la carte EXP48 (2/6), cette dernière - l' EXP48 (2/6)- doit être installée au-dessus.

II.6 INSTALLATION DE LA MINI-IMPRIMANTE KY16

- 1) Ajustez les interrupteurs "dip" de la carte mini-imprimante KY16 : 1 et 2 sur OFF, 3 et 4 sur ON.
- 2) Fixez la mini-imprimante KY16 au mur.
- 3) Passez l' extrémité libre du câble données - avec le connecteur 4 broches - de la mini-imprimante KY16 par le trou du fond du coffret et branchez la au connecteur X2 sur la carte SPS48 (voir Schéma 1).
- 4) Branchez le câble d'alimentation de la mini-imprimante KY16.

II.7 INSTALLATION CABLAGE DES POSTES INTERIEURS ET LIGNES RESEAU

- 1) Passez les câbles des postes intérieurs et des lignes réseau par le trou réservé à cet effet (voir Schéma 1).
- 2) Insérez les deux fils (A-B) du câble téléphone réseau sur les connecteurs correspondant (Connecteur 1 à 16 dans le schéma 1).

Pour réaliser le câblage "datas" des postes LT48(-H), OP48(-H), DSS80 et/ou DSS40:

- 3) Passez l'extrémité libre du câble datas du système - avec un connecteur à 3 broches- par le trou réservé à cet effet dans le coffret et branchez le au connecteur X1 sur la carte SPS48 (voir Schémas 1 et 3).
- 4) Connectez les signaux "Data", "+12 VDC", "GND" (terre) des broches correspondantes de la boîte de connexion du câble "datas" du système, aux broches correspondantes de la boîte de connexion du câble "datas" téléphone des postes LT48(-H), OP48(-H), DSS80 ou DSS40 en parallèle.
- 5) Pour le LT48(-H) et le OP48(-H), connectez les fils A-B du connecteur du poste correspondant aux broches A-B dans la boîte de connexion du câble "data" téléphone.
- 6) Connectez l'une des extrémités RJ11 du câble "datas" téléphone à la boîte de connexion et l'autre extrémité aux postes LT48(-H), OP48(-H), DSS80 ou DSS40 (voir Schéma 3).

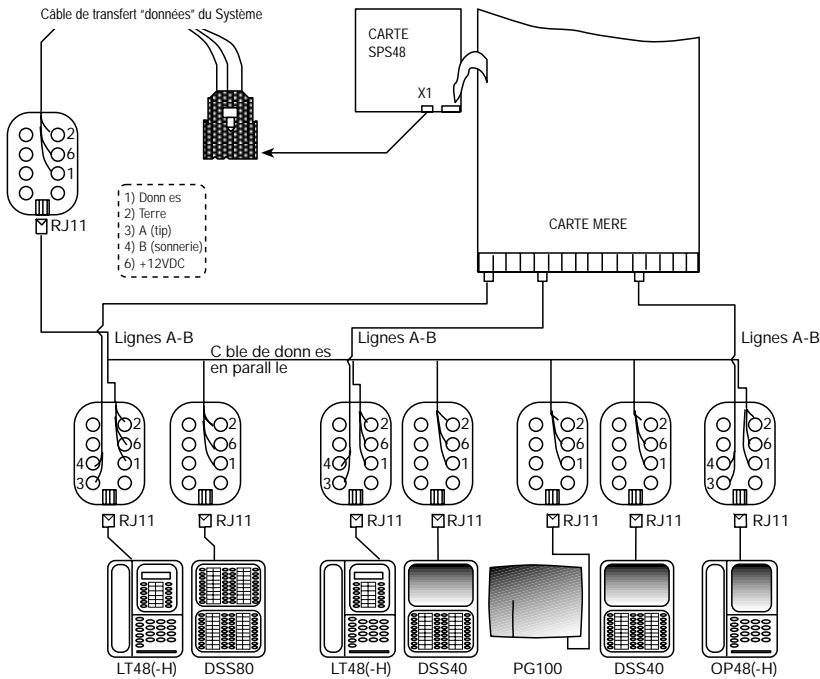


Schéma 3 - Câblage des téléphone KAREL, DSS et PG100 sur le MS48

Pour enregistrer les numéros des postes intérieurs :

- OP48(-H): Enfoncez la touche "Message" jusqu'à ce que le numéro du poste clignote sur l'afficheur LCD. Ensuite enfoncez plusieurs fois la même touche jusqu'à ce qu'apparaisse le bon numéro de poste apparaisse sur l'afficheur.
- LT48(-H): Enfoncez la touche "H/R" jusqu'à entendre un second "bip" et que le numéro du poste clignote sur l'afficheur LCD. Ensuite enfoncez plusieurs fois la même touche jusqu'à ce qu'apparaisse le bon numéro de poste apparaisse sur l'afficheur.
- DSS80: Enfoncez la touche "A" jusqu' au 3ème BIP. composez ensuite le numéro du poste correspondant.
- DSS40: Enfoncez la touche "Pa / Pr" jusqu' au 2ème BIP. Ensuite enfoncez plusieurs fois la même touche jusqu'à ce qu'apparaisse le bon numéro de poste apparaisse sur l'afficheur.

NOTE : Les postes LT48(-H), OP48(-H), DSS80 et DSS40 peuvent être connectés aux 16 premiers postes intérieurs du système.

NOTE : Un total de 10 LT48(-H) , OP48 (-H), DSS80 ou DSS40 peut-être connecté au système.

II.8 INSTALLATION DE L'EMETTEUR LOCAL PG100

- Fixez le PG100 au mur.
- Connectez les signaux "Data", "+12 VDC" et "terre" (GND) du câble datas du système en parallèle à la boîte de connexion du câble-datas du PG100 et branchez le connecteur RJ au connecteur "Data" sur l'arrière du PG 100 (voir Schéma 3).

II.9 INSTALLATION DES MODULES FPBASE & FPEXP

Pour installer les modules FPEXP sur une base FPBASE ou sur une autre FPEXP:

- 1) Retirez les vis dans les angles de la carte de base.
- 2) Passez les extrémités filetées du support de cartes en laiton par les trous dans les angles de la carte FPEXP. Placez ensuite les rondelles en plastique sur trois de ces extrémités filetées. Pour le quatrième support de cartes qui est situé sur la broche de terre de l'unité FPBASE, fixez les deux écrous aux deux extrémités filetées en tant que rondelle de terre.
- 3) Fixez les extrémités filetées aux perçages ménagés sur le module du dessous.
- 4) Placez le capot du FPEXP sur la carte et serrez le vis au support de carte en laiton aux quatre coins (voir Schéma 4).

Pour réaliser le câblage approprié:

- 1) Connectez les deux fils de la ligne PTT ou d'un poste éloigné au connecteur PTT de l'élément FPBASE ou des modules FPEXP (voir Schéma 5).
- 2) Connectez les deux fils provenant du connecteur PABX de l'unité FPBASE ou FPEXP au connecteur de ladite ligne réseau ou ligne intérieure du système (voir les schémas 1 et 5).
- 3) Connectez la broche de terre "GND" sur l'unité FPBASE à la terre du châssis du système en G1 (voir Schéma 1).

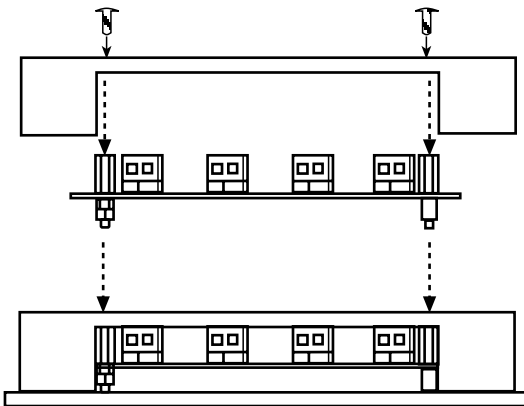


Schéma 4 - Installation de l'unité FPEXP sur PBASE

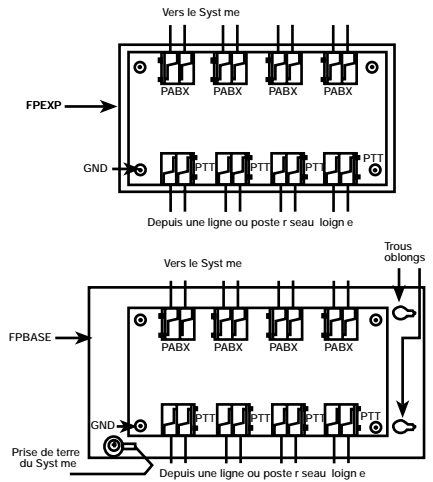


Schéma 5 - Câblage de FPBASE & FPEXP

Après la mise en marche du système, il faut attendre deux minutes afin que le système s'initialise et reconnaisse automatiquement tous les périphériques. Il faut ensuite effectuer quelques opérations de programmation afin que tout fonctionne normalement. Mettre le système en "mode programmation" en composant le 877777 depuis le poste téléphonique superviseur du système. Avec cette opération tous les programmes sont activés et pour initialiser le système il faut composer le 877778 depuis le poste téléphonique superviseur du système.

Ce poste téléphonique superviseur du système est l'opérateur du système par défaut (poste intérieur 11 ou 111).

Première opération : « Chargement des paramètres spécifiques "Pays" » (Section III.3).

Les codes indiqués dans les sections III.1, III.2, III.12 sont donnés comme des réglages de base du système même s'ils ne sont pas des codes de programmation mais seulement des facilités pour l'utilisateur.

III.1 REGLAGE DE L'HEURE

1) 88 + Heure (00..23) + Minute (00..59)

III.2 REGLAGE DE LA DATE

1) 833 + Jour (01..31) + Mois (01..12) + Année (00..99)

III.3 CHARGEMENT DES PARAMETRES SPECIFIQUES "PAYS"

1) 8009 + Paramètre PAYS (0..8)

☞ 1 : Grèce	2 : Pologne & Pakistan	3 : Portugal
4 : Espagne	5 : Russie	6 : Roumanie
7 : Malte	8 : République d'Afrique du Sud	0 : Autres

2) 8259

III.4 MISE EN SERVICE DES LIGNES

1) 89 01 9 0

2) 89 + Numéro de Ligne + 1 + Signal (0 / 1)

☞ 1 : signal DTMF
0 : signal DP

III.5 DEFINITION DES NIVEAUX D' AUTORISATION D' APPELS

1) 887 11 9 0

2) 887 + Numéro du poste intérieur + Niveau d'Autorisation d'Appel (0 / 1 / 2 / 3 / 4 / 5)

☞ 0 : Appels intérieurs seulement
1 : Appels intérieurs et locaux
2 : Appels intérieurs , locaux et longue distance
3 : Tous appels
4 : Appels des numéros abrégés et intérieurs seulement
5 : Appels des numéros abrégés, intérieurs et locaux seulement

III.6 DEFINITION DES PREFIXES LOCAUX

1) 80074 + Préfixe Local (au maximum 3 chiffres)

☞ Pour annuler : 8008

III.7 PARTAGE DES LIGNES ENTRE LES POSTES INTERIEURS

Définition des groupes de postes intérieurs :

- 1) 801 + Numéro de Poste + Groupe (00..15)
 - ☞ Les postes intérieurs du groupe 15 peuvent accéder à toute ligne libre.

Pour dédier des lignes réseau à des groupes de postes intérieurs:

- 1) 802 + numéro de ligne réseau + numéro de groupe de postes intérieurs
 - ☞ Vous pouvez créer autant de groupes de postes intérieurs que vous voulez, jusqu'à 15 si vous voulez. Si 15 est entré comme un numéro de groupe de postes, alors cette ligne ne peut être jointe par aucun poste intérieur.
 - ☞ Raccrochez pour terminer la programmation.

III.8 DEFINITION DES POSTES POUR LES SONNERIES DE JOUR & SONNERIES DE NUIT

- 1) 800 + Numéro de Ligne + Numéro du poste qui sonnera + 0 + 0 + 0 + 0
- 2) 879
- 3) 800 + Même numéro de ligne + Numéro du poste qui sonnera la nuit
- 4) 878

III.9 DEFINITION DES OPERATEURS PARALLELES

- 1) 8085 + Numéro du poste qui sonnera en parallèle avec l'opérateur.
 - ☞ Quatre postes au plus peuvent être définis comme opérateurs parallèles.
 - ☞ Annulation : 8086

III.10 ENREGISTREMENT DES MESSAGES DE REPONSE AUTOMATIQUE

- 1) 864 + Numéro de Message (00..23) + Message
 - ☞ 00 : message de bienvenue
 - ☞ 01 : message de numéro incomplet
 - ☞ 02 : message de ligne intérieure
 - ☞ 03 : message de non réponse occupée
 - ☞ 04 : message "numéro inconnu"
 - ☞ 05 : message d'attente
 - ☞ 06 : message "poste Inaccessible"
 - ☞ 07 : message de transfert
 - ☞ 08 : message d'accueil de nuit
 - ☞ 09 : message d'accueil DISA
 - ☞ 10 : Message "Mot de passe"
 - ☞ 11..23 : message d'ordre général
 - ☞ Pour effacer tous les messages de réponse automatique : 86444

III.11 DEFINITION DES LIGNES "AUTO ATTENDANT"/ "DISA"

- 1) 8070 + Numéro de Ligne + Type de Ligne (8 / 9 / 0)
 - ☞ 8 : Ligne de l'Accueil Automatique
 - ☞ 9 : Ligne DISA
 - ☞ 0 : Ligne normale

III.12 ACTIVATION DU SERVEUR AUTOMATIQUE

- 1) 8741
 - ☞ Composez 8741 après avoir défini toutes les lignes avec serveur automatique et enregistré tous les messages.
 - ☞ Pour désactiver : 8740.

III.13 DEFINITION DE L'OPTION "ENREGISTREMENT DES APPELS EXTERIEURS"

- 1) 877 + 5 + Code de service de l'option (0 / 1 / 2)
 - ☞ 0 : PC ou Imprimante série
 - ☞ 1 : Imprimante série mode Condensé
 - ☞ 2 : Mini Imprimante KY16

Le système téléphonique KAREL MS48 dispose de nombreuses options supplémentaires pour répondre à vos besoins, contactez votre revendeur pour de plus amples informations.

IV *OPTIONS pour les USAGERS*

Dans ce chapitre, l'activation de options usagers des téléphones standards vous est détaillée. Les usagers des téléphones interactifs LT48(-H) n'ont pas l'obligation de suivre ces étapes car ils peuvent aisément traiter leurs appels en suivant les instructions et informations du menu déroulant sur l'afficheur de leur téléphone. Ainsi, les usagers des téléphones DSS80 ou DSS40 peuvent activer la plupart des options offertes par l'enfoncement d'une touche directe.

N° Poste	☞	Numéro de poste intérieur
N° PTT	☞	Numéro extérieur
N° Ligne	☞	Numéro de ligne extérieure
Message	☞	Message à écouter
#	☞	Suspendre (flash); aussi par la touche "*" (sur des postes FV / DTMF) ou, par la touche "Flash" ou, par la touche "R" ou, par la touche "Inter-Suspension".
*	☞	Prise de Ligne ; aussi par la touche "*" (sur des postes FV /DTMF) ou, par la touche "inter-suspension".

APPELS INTERNES

A tous les opérateurs	0
Appeler un poste Interne	N° Poste
Pour "Biper" un poste	867 + N° Poste
Pour faire un appel général à un groupe de postes	865 + N° Poste (n'importe quel poste du groupe)
Pour faire un appel général (tous les postes)	866
Pour se mettre en attente sur un poste occupé	Attente
Pour émettre un signal d'appel sur un poste occupé	1
Pour interrompre une conversation	0 ou 5
Pour rappeler un poste occupé ou sans réponse	81
Pour rappeler un poste occupé	81
Pour annuler le rappel	81

APPELS EXTERNES

Pour appeler via n'importe quelle ligne	9 + N° PTT
Pour appeler via une ligne spécifique	7 + N° Ligne + N° PTT
Pour appeler un N° extérieur et l'enregistrer dans la liste	790 + N° PTT
Pour appeler un numéro et l'associer avec un numéro de compte ou code dossier	797 + N° de compte ou code dossier + N° PTT
Pour émettre un appel depuis n'importe quel poste sur votre compte "appels"	797 + compte a activer + N° PTT
Pour émettre un appel depuis n'importe quel poste en utilisant votre "mot de passe"	799 + votre N° Poste + mot de passe + N° PTT
Pour appeler depuis votre poste verrouillé	9 (ou 7) + N° Poste + mot de passe + N° PTT
Pour appeler un numéro abrégé commun à tous	5 + N° de mémoire du numéro du correspondant
Pour appeler un numéro mémorisé dans votre propre liste d'appels abrégés	6 + N° de mémoire du numéro correspondant
Pour rappeler le dernier numéro appelé	60
Pour appeler automatiquement à partir de la liste de numéros abrégés commune	78 + N° abrégé correspondant
Pour appeler automatiquement à partir de sa propre liste de numéros abrégés	77 + N° abrégé correspondant
Pour appeler automatiquement le dernier numéro composé	770
Pour supprimer le rappel automatique du dernier numéro	77 + *

REPONDRE AUX APPELS

Pour prendre un appel entrant
Pour prendre un appel extérieur entrant
Pour répondre à un appel destiné à un autre poste
Pour répondre à un appel destiné à un autre poste dans votre groupe

Prenez le combiné en mains et répondez
3
82 + N° Poste
5

RENOYER LES APPELS

Pour renvoyer les appels sur un poste intérieur (depuis votre poste)
Pour renvoyer les appels sur un poste extérieur (depuis n'importe quel poste)
Pour annuler les renvois (depuis votre poste)
Pour renvoyer les appels non répondus vers un autre poste intérieur
Pour annuler le Renvoi des appels non répondus
Pour désactiver/ré-activer le renvoi vers votre poste

85 + N° Poste Destinataire
855+Votre N° Poste+N° du poste destinataire des renvois
85 + *
86 + N° Poste
86 + *
889 / 888

EFFECTUER DES APPELS

Mettre/Reprendre un appel en attente
Mettre /Reprendre un appel en garage
Pour reprendre un appel mis au garage par n'importe quel poste intérieur
Pour reprendre un appel mis au garage par l'opérateur
Pour transférer un appel
Pour se mettre en "Conférence à Trois":
· Avec deux correspondants extérieurs
· Avec deux postes intérieurs N° Poste
· Avec un correspondant extérieur et un poste intérieur
Pour transférer un appel extérieur vers un N° extérieur
Pour faire un "Signal d'Appel" vers une ligne extérieure
Pour augmenter le niveau de réception d'un appel extérieur

+ 4 / 4 (# + 3 / 3 (pour l'opérateur)
44 + N° Poste "Garage".
4 + N° Ligne mise au garage
+ N° Poste destinataire
9 + N° PTT + # + 4 + 9 + N° PTT + # + 9
"A" + # + 5 + N° Poste "B" + #
9 + N° PTT + # + 5 + N° Poste + #
+ 4 + 9 + N° PTT + # + 6
+ 9
+ 55

SERVICES LIES AU "MOT DE PASSE"

Pour définir un mot de passe
Pour changer le mot de passe
Pour effacer le mot de passe
Pour verrouiller votre poste téléphonique
Pour déverrouiller votre poste téléphonique

836 + "Mot de Passe" (000....250)
836 + Mot de Passe mémorisé + Nouveau Mot de Passe
836 + Mot de Passe + *
837 + Mot de Passe + 1
837 + Mot de Passe + 0

SERVICES DE RAPPELS

Pour activer un Rappel Horaire
Pour activer un Rappel Horaire avec Message⁽¹⁾
Pour activer un Rappel Horaire Quotidien
Pour activer un Rappel Horaire Quotidien avec Message⁽¹⁾
Pour annuler tous les Rappels

838 + Heure + Minute
8389 + Heure + Minute + Message
8387 + Heure + Minute
83879 + Heure + Minute + Message
838 + *

⁽¹⁾ Disponible uniquement si le serveur vocal est installé.

CONFIGURATION DE VOTRE TELEPHONE

Pour activer / annuler votre sonnerie une fois par appel	831 / 830
Pour activer / désactiver l'écoute de musique au moyen de votre téléphone mains libres	857 / 857
Pour activer / désactiver votre "beeper" (2)	741 / 740
Pour activer / désactiver votre casque	742 / 742
Pour enregistrer des numéros sur votre liste d'appels abrégés	84 + N° d'Appel Abrégé + N° PTT

SERVICES DE MESSAGERIE(3)

Pour laisser un message à un poste intérieur	82 + Message
Pour écouter les nouveaux messages qui vous ont été laissés	8646
Pour écouter tous les messages qui vous ont été laissés	8645
Pour conserver un message en mémoire pendant son écoute	8
Pour réécouter un message pendant son écoute	0
Pour sauter un message pendant son écoute	1
Pour effacer un message pendant son écoute	9
Pour enregistrer votre appel extérieur	# + Votre N° Poste
Pour laisser un message temporaire d'absence sur votre poste	8648 + Message
Pour enregistrer un message sur votre répondeur	7372
Pour activer votre message sur votre répondeur	7371
Pour désactiver votre message sur votre répondeur	7370
Pour effacer votre message sur votre répondeur	7373

SERVICES POUR HOTELS

Pour activer le téléphone "baby-sitter" depuis votre chambre	858 + Laisser le combiné décroché
Pour surveiller votre chambre depuis un autre poste	Votre N° de chambre + 9
Pour actualiser l'Etat de la Chambre	730 + 0 (propre) / 1 (en cours de ménage) / 2 (non nettoyée)
Pour activer la demande de rappel (par le personnel d'étage)	738 + N° d'Employé (0..9)
Pour activer la demande de rappel (par l'opérateur ou la réception)	738 + N° d'Employé (0..9)

SERVICES PORTIER

Pour appeler le portier	110 (10 pour les capacités de 4/12 ou 6/18)
Pour ouvrir la porte	151 (29 pour les capacités de 4/12 et 6/18)
Pour ouvrir la porte pendant la conversation par le portier	2

SERVICE D'ENREGISTREMENT DES NUMEROS D'APPELS (4)

Pour lister les appels effectués par un poste ou une ligne	8766 + N° Poste ou 0+ N° Ligne
Pour lister tous les appels effectués	8767 / 8768
Pour lister le coût total des appels effectués par un poste	8764 + N° Poste
Pour effacer la liste des appels effectués par un poste ou une ligne	8765 + N° Poste ou 0 + N° Ligne
Pour lister les numéros enregistrés dans la liste commune des appels abrégés	746 ou 826
Pour lister les paramètres d'un poste ou d'une ligne	839 + N° Poste. ou 0 + N° Ligne
Pour lister les paramètres de tous les postes et de toutes les lignes	8399
Pour envoyer une impression sur la mini-imprimante KY16	8763
Pour envoyer une ligne impression sur la mini-imprimante KY16	8762
Pour mettre en pause la mini-imprimante KY16	8760
Pour redémarrer la mini-imprimante KY16	8761

(2) Disponible uniquement si la Recherche de Personnes est installée.

(3) Disponible uniquement si le serveur vocal est installé.

(4) Disponible uniquement pour l'opérateur si un système d'enregistrement des appels est installé.

SERVICES RESERVES A L'OPÉRATEUR

Pour transférer un appel externe et le reprendre après que le poste intérieur ait raccroché

Pour parquer / reprendre de multiple appels

Pour activer la source de musique interne

Pour activer la source de musique externe

Pour désactiver la musique

Pour régler l'heure

Pour régler la date

Pour activer/ désactiver le mode nuit

Pour enregistrer des numéros dans la liste commune des appels abrégés

Pour régler une alarme horaire pour un poste

Pour régler une alarme horaire avec un message pour un poste⁽⁵⁾

Pour annuler l'alarme programmée sur un poste

Pour activer / désactiver les opérateurs parallèles

Pour renvoyer les appels extérieurs vers un autre

Numéro d'appel extérieur

Pour annuler le renvoi des appels extérieurs vers un autre

Numéro d'appel extérieur

Programmer l'état d'une chambre d'hôtel

Pour demander l'état d'une chambre d'hôtel

Pour vérifier si l'enregistrement de l'entrée ou de la sortie du client a été effectué

+ 0 + N° Poste

+ 4 / 4

8322

8321

8320

88 + Heure + Minute

833 + Jour + Mois + Année (deux derniers chiffres)

879 / 878

834 + N° abrégé dans la liste commune + N° PTT

8388 + N° Poste + Heure + Minute

83889 + N° Poste + Heure + Minute + Message

8388 + N° Poste + *

8561 / 8560

835 + N° Ligne + Numéro de Renvoi PTT

835 + N° Ligne + *

730 + N° Poste (de la chambre) + '1' (Libre) ou '2' (Occupée) ou '3' (Réservée) ou '4' (Hors de service)

731 + N° Poste (de la chambre) + 1 / 2 (imprimer) + 1 / 2 (imprimer)

732 + N° Poste (de la chambre) + '1' (check-in) ou '2' (check-out)

⁽⁵⁾ Disponible uniquement si le serveur vocal est installé.

Note

Si votre système téléphonique ne fonctionne pas correctement veuillez vous reporter à l'information correspondante de ce manuel .

Si le problème persiste, veuillez contacter votre installateur ou un représentant de la marque dans votre pays.

Certaines opérations incluses dans ce guide dépendent de pays peuvent effectuer d'un manière différente ou ne fonctionnent du tout. En ce cas veuillez contacter votre distributeur autorisé pour la spécification de votre pays.

KAREL MS48
Centralita

Introducción

El presente Manual describe la instalación y principales funciones de una centralita Karel MS48, y está dividido en 4 capítulos principales;

- 1) Descripción general (pág 30): Datos técnicos generales de un Sistema de comunicaciones gobernado por una Centralita Karel MS48.
- 1) Instalación (pág.31): Explica la instalación del Sistema y de sus accesorios.
- 2) Programación básica (pág.36): Explica los pasos elementales para poner un funcionamiento el Sistema con sus funciones más básicas.
- 3) Prestaciones para el usuario (pág.38): Explica las prestaciones más útiles para el usuario.

El presente manual no pretende ser exhaustivo sino hacer fácil una localización rápida de los principales temas. Si busca una información completa póngase en contacto con su instalador.

I Descripción General

Un Sistema de comunicación Karel MS48 parte de una capacidad de 4 líneas y 12 Extensiones. Pero gracias a su estructura modular puede ampliarse hasta 48 puertos añadiendo tarjetas de expansión.

La flexibilidad del "hardware" y sus potentes estructuras de programación están diseñados para satisfacer todas sus necesidades. Y la gama de accesorios permite ampliar la funcionalidad del Sistema sin grandes costes.

Los números de las extensiones empiezan por el 11 y se componen de dos cifras en los sistemas de 4/12 y 6/18. Para capacidades superiores empiezan por el 111 y se componen de números de tres cifras. Sea cual sea la capacidad del Sistema los números de línea empiezan por el 01 y se componen de dos cifras.

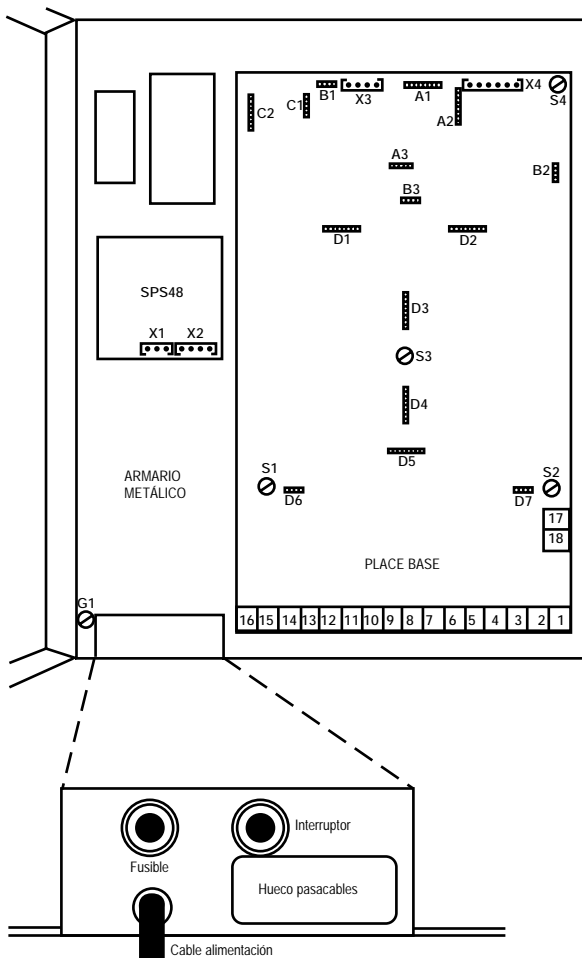
Accesorios y componentes del Sistema :

- 1) EXP48 (4/12) : Tarjeta de expansión para 4 líneas y 12 extensiones.
- 2) EXP48 (2/6) : Tarjeta de expansión para 2 líneas y 6 extensiones.
- 3) EXP48 (0/16) : Tarjeta de expansión para 16 extensiones.
- 4) SPS48 : Placa de alimentación del Sistema.
- 5) LT48 : Teléfono específico. Incluye una pantalla LCD multilingue de 2 líneas x 16 caracteres, 10 botones programables bifunción con sus correspondientes señalizadores luminosos LED y 6 teclas especiales de función. Existe una versión de "manos libres" (LT48-H).
- 6) OP48 : Terminal del Sistema. Incluye un panel de ocupación que ilustra la situación de todas las líneas y extensiones, una pantalla de 8 caracteres que indica la hora, el número marcado y determinadas de las funciones del Sistema, y 6 teclas de función. Existe una versión de "manos libres" (OP48-H).
- 7) DSS80 : Módulo de teclas programable, con 80 botones programables con 2 funciones cada uno y sus correspondientes lámparas LED.
- 8) DSS40 : Módulo de teclas programable, con 40 botones programables con 2 funciones cada uno y sus correspondientes lámparas LED, un panel de ocupación, y una pantalla de mensajes de 2 líneas que ilustra la situación de todos los puertos.
- 9) EVM48 : Integra la "operadora automática" y un módulo de correo de voz, ofreciendo una automatización del trabajo de atención de llamadas entrantes, y permitiendo que los usuarios se dejen mensajes grabados.
- 10) CM48-W : Interfaz para conectar al ordenador personal. Permite administrar los datos de las llamadas realizadas para consultarlos y obtener estadísticas.
- 11) PK48-D : Interfaz para ordenador personal que permite administrar la configuración y funcionamiento del Sistema.
- 12) RS232 : Interfaz RS232 para impresora de serie. Permite obtener listados de las llamadas como alternativa al CM48-W.
- 13) KY16 : Mini-impresora específica de Karel (16 columnas) para obtener listados de las llamadas. Otra alternativa al RS232 y CM48-W.
- 14) PG100 : Localizador para avisar a las extensiones con un buscapersonas asignado (disponible según países).
- 15) DY26 : Portero automático.
- 16) FPBASE & FPEXP : Módulos de filtro y protección para 4 líneas o extensiones remotas.

II Instalación

Es recomendable instalar el Sistema MS48 y sus accesorios (si los hubiere) por el siguiente orden:

- 🔧 Colgar la Centralita en la pared.
- 🔧 Instalar el portero automático DY26.
- 🔧 Instalar los interfaces CM48-W de listados de llamadas y/o PK48-D de administración, o RS232 de impresora en serie.
- 🔧 Instalar el módulo EVM48 de operadora automática y correo de voz.
- 🔧 Instalar las tarjetas de expansión EXP48 y placa multifrecuencia para expansiones.
- 🔧 Instalar la mini-impresora KY-16.
- 🔧 Tirar el cableado de las extensiones y las líneas.
- 🔧 Instalar el PG100.
- 🔧 Instalar los módulos de protección FPBASE y FPEXP.



Conectores:

- 1-4 Líneas 01 a 04
- 5-16 Extensiones 11 a 22 (o 111 a 122)
- 17 Relé externo
- 18 Equipo de música externo.
- X1 Cable serie
- X2 Mini-impresora KY16
- X3 Portero automático DY26
- X4 Reservada para futuras aplicaciones
- A1-A3 Tarjeta CM/PK o RS232
- B1-B3 Tarjeta EVM48
- C1,C2 Tarjeta MFR48
- D1-D5 Tarjeta EXP48 (2/6)
- D1-D7 Tarjeta EXP48 (4/12)/EXP48 (0/16)

Gráfico 1 - Situación de los conectores en la placa base.

II.1 COLGAR DE LA PARED LA CENTRALITA

- 1) Para ubicar correctamente la Central use la plantilla.
- 2) Perfore dos agujeros en la pared siguiendo la misma plantilla, introduzca los tornillos y cuelgue la Centralita de los dos agujeros con forma de pera que lleva en la parte de atrás.

II.2 INSTALACIÓN DEL PORTERO AUTOMÁTICO DY26

- 1) Cuelgue el aparato de la pared.
- 2) Pase el extremo libre del cable por el agujero que hay en la parte baja de la Centralita.
- 3) Inserte el conector de 4 pines en el enchufe (X3) correspondiente de la placa base (vea el gráfico 1).

II.3 INSTALACIÓN DEL CM48-W Y/O PK48-D o RS232

Instalación física:

- 1) Introduzca los conectores de la tarjeta en los conectores A1-A3 de la placa base (vea el gráfico 1).
- 2) Pase el cable por el agujero para cables que hay en la parte inferior del cofre de la Centralita.
- 3) Introduzca el conector en su correspondiente enchufe de la tarjeta PKCR o RS232.
- 4) En el caso de la tarjeta PKCR conecte el enchufe de 25 pines (tipo D) en la mochila (conector) de seguridad, y a su vez, enchufe el conector a su ordenador personal.
Y si tiene la tarjeta RS232, enchufe el conector de 25 pines a su impresora.

Instalar la aplicación CM48-W/PK48-D en su ordenador:

- 1) Introduzca el disquete en el ordenador.
- 2) Ejecute el programa INSTALL.EXE y siga sus indicaciones.
NOTA: Para instalar las aplicaciones CM48-W y PK48-D en un ordenador no es necesaria más que una tarjeta PKCR, un cable y un solo conector (mochila) de seguridad.

II.4 INSTALACIÓN DEL EVM48

- 1) Quite el tornillo S4 de la placa base y ponga en su lugar el soporte-separador de latón (vea el gráfico 1).
- 2) Haga coincidir los pines de la tarjeta con los conectores B1-B3 de la placa base (vea el gráfico 1). Entonces vuelva a apretar el tornillo del soporte de cobre para fijar la tarjeta.

Instalación del EVM-FE (Módulo de "Operadora Automática") o el EVM-DE (Módulo de correo de voz):

- 1) Haga coincidir los conectores hembra del módulo EVM-FE /EVM-DE con los conectores macho de la tarjeta EVM48 (vea el gráfico 2).

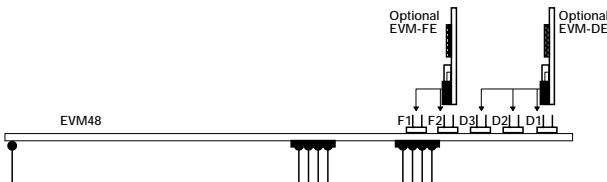


Gráfico 2 - Instalación del EVM-FE y EVM-DE

II.5 INSTALACIÓN DEL (LOS) MÓDULO(S) EXP48

- 1) Quite los tornillos S1-S3 de la placa base y ponga en su lugar los separadores de latón.
- 2) Haga coincidir los pines de la tarjeta EXP48 (2/6) con los conectores D1-D5, o los de la tarjeta EXP48 (4/12) /EXP48 (0/16) con los conectores D1-D7 de la placa base (vea el gráfico 1). Entonces vuelva a apretar los tornillos del separador de latón para fijar la tarjeta.
- 3) Si piensa acoplar una segunda expansión sobre la primera, en vez de apretar los tornillos como se indica en el apartado 2, sujete los separadores de latón y haga coincidir los pines de la segunda expansión con los conectores D1-D7 de la primera expansión.
- 4) Si en la placa base se ha instalado un módulo EXP48 (0/16) o EXP48 (4/12), para instalar una tarjeta MFR48 deberá hacer coincidir los pines de la MFR48 con los conectores C1 y C2 de la placa base (vea el gráfico 1).

NOTA: En una Centralita MS48 pueden instalarse dos tarjetas de expansión como máximo, sin embargo, no pueden ser ambas del mismo modelo EXP48 (2/6) o EXP48 (0/16). Para ver las otras configuraciones posibles puede consultar la tabla de configuraciones y precios de los catálogos de Karel.

NOTA: La conexión del tornillo "S2" tiene importancia en el funcionamiento de la Centralita puesto que canaliza la toma de tierra de todo el Sistema hacia las placas a través del soporte de cobre. La seguridad eléctrica del sistema depende de esta conexión.

NOTA: En caso de haber dos tarjetas EXP48, si una de ellas fuera una EXP48 (2/6), debería instalarse ésta encima del resto.

II.6 INSTALACIÓN DE LA MINI-IMPRESORA KY16

- 1) Colocar los interruptores "DIP" de la mini-impresora del siguiente modo: 1 y 2 apagado (OFF), y 3 y 4 encendido (ON).
- 2) Fijar la KY16 en la pared.
- 3) Pasar el extremo libre del cable de 4 pines por el hueco que hay en la parte inferior de la caja y enchufarlo en el conector X2 de la tarjeta SPS48 (vea el gráfico 1).
- 4) Enchufar el cable de alimentación de la KY16.

II.7 CABLEADO DE LÍNEAS Y EXTENSIONES

- 1) Pasar los cables de las líneas y extensiones por agujero hecho al efecto (vea el gráfico 1).
- 2) Introduzca en los conectores adecuados (los números 1 a 16 del gráfico 1) los dos cables (A/B) de cada teléfono o línea.

Para el cableado del LT48(-H), OP48(-H), DSS80 y/o DSS40:

- 3) Pasar el extremo libre del cable de datos (el de 3 pines) por el agujero que está en la parte inferior del armario de la Centralita y enchufarlo en el conector X1 de la tarjeta SPS48 (vea los gráficos 1 y 3).
- 4) Conectar en paralelo los conductores de datos, alimentación de 12 voltios, y toma de tierra desde los pines correspondientes en la caja de conexión (roseta) del cable de datos conectado a la centralita, a los pines de la caja de conexiones rosetas del (los) teléfono(s) LT48(-H), OP48(-H), y módulos DSS80 o DSS40. En otras palabras: Todos los terminales "+" deben estar conectados entre sí entre las distintas rosetas, todos los terminales "-" deben estar conectados entre sí, y todos los terminales "D" deben estar conectados entre sí.
- 5) En los terminales LT48(-H) y OP48(-H) conecte los cables A/B desde el conector de la extensión correspondiente en la centralita hasta los pines A/B de la caja de conexiones del teléfono (en la roseta).
- 6) Enchufar los conectores RJ11 del cable suministrado en la caja de conexión (roseta), y el otro extremo con el terminal LT48(-H), OP48(-H), DSS80 o DSS40 (vea el gráfico 3).

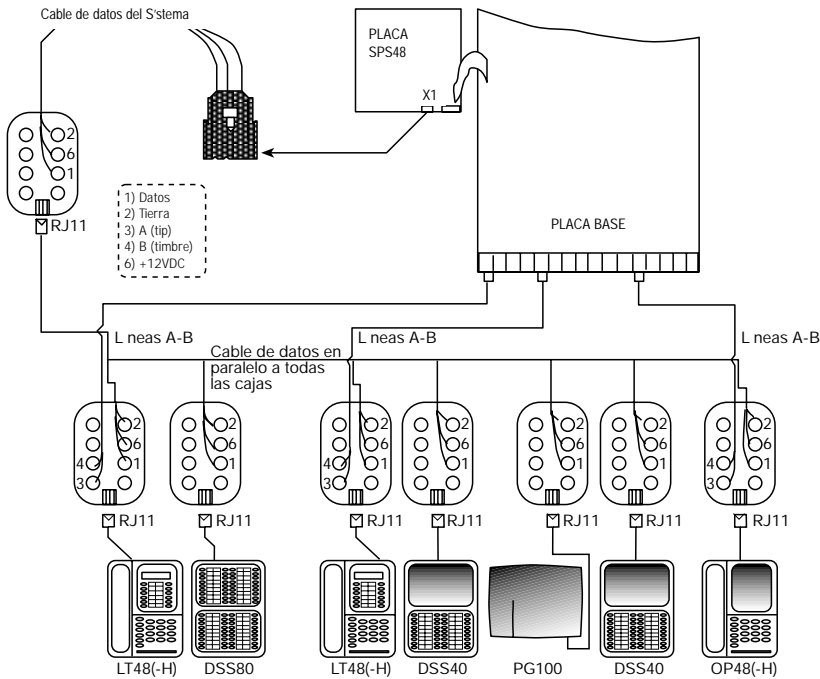


Gráfico 3 - Cableado entre la Centralita MS48 y teléfonos específicos Karel DSS y PG100

Como asignar los números de extensión:

- OP48(-H): Descuelgue el microteléfono y mantenga pulsado el botón "Message" hasta que parpadee en la pantalla el número de extensión y aparezca "A" junto a él. Entonces, vuelva a pulsar ese mismo botón las veces que sea necesario hasta que vea en la pantalla el número de extensión que desee. Cuelgue el microteléfono.
- LT48(-H): Mantenga pulsado la tecla H/R hasta oír un segundo tono. Al soltar la tecla H/R aparece en la pantalla un número de extensión; pulsando sucesivamente, cambia el número de extensión incrementándose, hasta que alcancemos el número de extensión que se desee.
- DSS80: Mantenga pulsado el botón "A" hasta escuchar el tercer pitido ("beep"), y entonces escriba el número de la extensión mediante las teclas numéricas del módulo.
- DSS40: Mantenga pulsado el botón "Pa/Pr" hasta escuchar el segundo pitido ("beep"), y vuelva a pulsar ese mismo botón las veces que sea necesario hasta que vea en la pantalla el número de extensión que desee.

NOTA: Los modelos LT48(-H), OP48(-H), DSS80 y DSS40 pueden conectarse a las 16 primeras extensiones del Sistema.

NOTA: Se pueden conectar a una Centralita un total de 10 terminales LT48(-H), OP48(-H), DSS80 o DSS40.

II.1 INSTALACIÓN DEL PG100

- Cuelgue de la pared el PG100.
- Conecte en paralelo mediante el cable de datos las señales de datos, alimentación de 12V. y toma de tierra, con la caja de conexiones del PG100, y enchufe el conector RJ en el conector de datos que está mirando el buscapersonas por debajo (vea el gráfico 3).

II.9 INSTALACIÓN DE FPBASE & FPEXP

Instalación de los módulos FPEXP en un FPBASE o en otro FPEXP:

- 1) Quite los tornillos de las esquinas de la placa base.
- 2) Meta los separadores metálicos del soporte de latón por los agujeros que hay en las esquinas de la tarjeta FPEXP. Luego coloque los separadores de plástico por tres de las esquinas. En cuanto al cuarto soporte de cobre que da a la toma de tierra de la unidad FPBASE, ponga las dos tuercas en el extremo.
- 3) Pase los extremos del separador en los agujeros del módulo que sirve de base.
- 4) Coloque la tapa metálica del FPEXP sobre la tarjeta y apriete los tornillos al separador de latón por las cuatro esquinas. (vea el gráfico 4).

Como efectuar las conexiones:

- 1) Enchufe los dos hilos del conector PABX del módulo FPBASE o FPEXP al conector de línea o extensión correcto en la Centralita (vea los gráficos 1 y 5).
- 2) Enchufar el pin GND del módulo FPBASE a la toma de tierra de la Centralita en G1 (vea el gráfico 1).

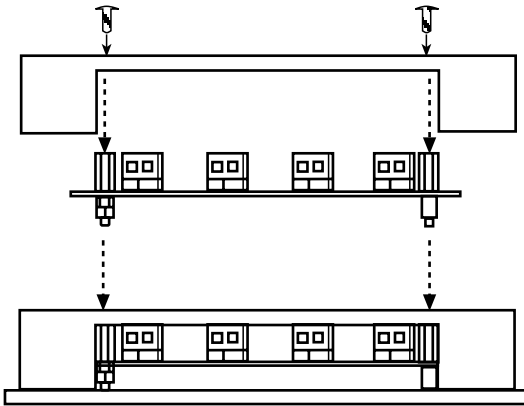


Gráfico 4- Instalación de un FPEXP sobre un FPBASE.

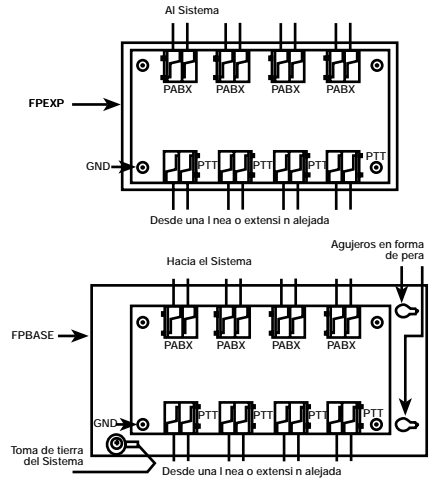


Gráfico 5 - Cableado de los módulos FPBASE y FPEXP.



Al encender la Centralita, ésta tarda algunos minutos en inicializarse e identificar automáticamente todos los periféricos. Para que empiece a funcionar correctamente es necesario programar al principio algunas funciones básicas. Para empezar, es necesario entrar en el modo de Programación marcando el número 877777 desde el terminal de la operadora. Una vez terminada la programación, se sale de este modo marcando el 877778 desde el mismo teléfono.

La supervisión del sistema (la operadora) viene asignada de fábrica a la extensión 11 o 111.

El primer dato a introducir son los parámetros específicos de su país ("Loading the country specific parameters") (sección III.3).

En las secciones III.1, III.2 y III.12 se dan como datos básicos determinados códigos que en realidad no son códigos de programación, sino funciones exclusivas del operador/a.

III.1 PUESTA EN HORA

1) 88 + Hora (00..23) + Minutos (00..59)

III.2 INTRODUCIR FECHA

1) 833 + Día (01..31) + Mes (01..12) + Año (00..99)

III.3 PARÁMETROS ESPECÍFICOS DE CADA PAÍS

1) 8009 + Nro. del País (0..8)

☞ 1 : Grecia	2 : Polonia y Paquistán	3 : Portugal
4 : Spain	5 : Rusia y Países CIS	6 : Rumanía
7 : Malta	8 : República de Sudafrica	0 : Otros

2) 8259

III.4 PUESTA EN SERVICIO DE LAS LÍNEAS

1) 89 01 9 0

2) 89 + Nro de línea + 1 + Modo de marcación (0 / 1)

☞ 1 : por tonos multifrecuencia
0 : por pulsos

III.5 ESTABLECER EL NIVEL DE AUTORIZACIÓN DE LAS EXTENSIONES

1) 887 11 9 0

2) 887 + Número de extensión + Nivel de autorización (0 / 1 / 2 / 3 / 4 / 5)

☞ 0 : Solo llamadas internas
1 : Internas y locales
2 : Internas, locales y larga distancia
3 : Todo tipo de llamadas
4 : Solo las llamadas internas y a números de la memoria común
5 : Solo las llamadas internas, a números de la memoria común, y llamadas locales

III.6 ESTABLECER EL PREFIJO LOCAL

1) 80074 + Prefijo local (un máximo de 3 cifras)

☞ Cancelar : 8008

III.7 ATRIBUCIÓN DE LÍNEAS DE SALIDA A GRUPOS DE EXTENSIONES

Como se define un grupo de extensiones (o Grupo de captura):

- 1) 801 + Número de extensión + Grupo (00..15)
 - ☞ Las extensiones del grupo 15 pueden acceder a cualquier línea libre.

Como se asigna una línea a un grupo:

- 1) 802 + Número de línea + + Números de los grupos de extensiones
 - ☞ Se puede asignar cualquier número de grupo de extensiones hasta 15. Si se elige el grupo 15, entonces esa línea no podrá ser usada por ninguna extensión.
 - ☞ Cuelgue.

III.8 ESTABLECER QUÉ EXTENSIÓN HA DE AVISAR DE LAS LLAMADAS NORMALMENTE Y/O EN MODO NOCTURNO

- 1) 800 + Número de línea + Número de la extensión que ha de sonar + 0 + 0 + 0 + 0
(NOTA: El cuarto cero sólo se añade si hay conectado un módulo EVM48)
- 2) 879
- 3) 800 + El mismo número de línea + Número de la extensión que ha de sonar durante el modo nocturno
- 4) 878

III.9 ESTABLECER OPERADORAS EN PARALELO

- 1) 8085 + Número de la extensión que ha de sonar simultáneamente con la del/la operador/a (ext. 11 ó 111)
 - ☞ Se pueden asignar hasta 4 Extensiones en paralelo con la del/la operador/a.
 - ☞ Cancelar: 8086

III.10 OPERADORA AUTOMÁTICA GRABACIÓN DE MENSAJES

- 1) 864 + Número de mensaje (00..23) + Mensaje
 - ☞ 00 : Bienvenida 01 : Falta algún dígito
 - 02 : Extensión ocupada 03 : No contesta
 - 04 : Número inexistente 05 : Espere
 - 06 : Extensión inaccesible 07 : Desvío
 - 08 : Bienvenida modo nocturno 09 : Bienvenida a línea DISA
 - 10 : Contraseña 11..23 : Mensajes de propósito general
 - ☞ Borrado de todos los mensajes de la operadora automática: 86444

III.11 OPERADORA AUTOMÁTICA: DESIGNAR LA OPERADORA AUTOMÁTICA/LÍNEA DISA

- 1) 8070 + Número de línea + Tipo de línea (8 / 9 / 0)
 - ☞ 8 : Línea de la Operadora automática 9 : Línea DISA
 - 0 : Línea normal

III.12 ACTIVACIÓN DE LAS LÍNEAS DE OPERADORA AUTOMÁTICA

- 1) 8741
 - ☞ Tras establecer todas las líneas de Operadora automática y grabar los mensajes marque 8741.
 - ☞ Para desactivar: 8740

III.13 DEFINIR LA SALIDA DEL LISTADO DE LLAMADAS

- 1) 877 + 5 + Nro. de aparato (0 / 1 / 2)
 - ☞ 0 : Ordenador o impresora de serie
 - 1 : Impresora de serie, listado resumido
 - 2 : Mini-impresora KY16

Un Sistema de comunicaciones Karel MS48 dispone de numerosos programas para funciones concretas. Póngase en contacto con su instalador para más información.

IV Prestaciones para el usuario

El presente capítulo explica como usar las prestaciones de la Centralita con un teléfono normal. Los usuarios de teléfonos específicos LT48(-H) no necesitan seguir estos pasos puesto que disponen de una pantalla de mensajes con un sistema de menús. Igualmente, los usuarios de terminales DSS80 o DSS40 pueden activar muchas de las prestaciones pulsando un solo botón.

Nº extensión	☞	Número de extensión
Nº teléfono	☞	Número externo
Nº línea	☞	Número de línea
Mes.	☞	Mensaje
#	☞	Retener, bien con el botón "#" (en teléfonos de tonos) o, con el botón "Flash" o, con el botón "R" o, con el gancho del teléfono.
*	☞	Colgar; bien con el botón "*" (en teléfonos de tonos) o, con el gancho de colgar

LLAMADAS INTERNAS

Al operador/a	0
A una extensión	Nº extensión
Hablar por el altavoz de una extensión	867 + Nº extensión
Hablar por los altavoces a un grupo	865 + Nº extensión (cualquier extensión del grupo)
Hacer un aviso por todos los altavoces	866
Auto-rellamada (avisa cuando el la extensión deja de comunicar)	Espera
Avisar mediante un tono a una extensión ocupada	1
Intervenir en una conversación	0 o 5
Para rellamar a una extensión ocupada o que no contesta	81
Rellamar a una extensión ocupada	81
Anular una rellamada	81

LLAMADAS EXTERNAS

Llamar por cualquier línea	9 + Nº teléfono
Llamar por una línea concreta	7 + Nº línea + Nº teléfono
Marcar en el listado de llamadas la llamada actual	790 + Nº teléfono
Asociar la llamada actual con una cuenta de llamadas	797 + Clave de la cuenta + Nº teléfono
Cargar a la propia cuenta una llamada desde cualquier teléfono	797 + Clave de la cuenta + Nº teléfono
Usar desde cualquier teléfono la contraseña propia	799+Nº extensión propio+contraseña+Nº teléfono
Llamar desde un teléfono bloqueado	9 (o 7+Nº línea.) + contraseña + Nº teléfono
Llamar a un número de la memoria común	5 + Nº memoria común
Llamar a un número de la memoria privada	6 + Nº memoria privada
Volver a marcar el último número	60
Marcado automático desde la memoria común	78 + Nº memoria común
Marcado automático desde la memoria privada	77 + Nº memoria privada
Marcado automático del último número	770
Anular marcado automático	77 + *

CONTESTAR LLAMADAS

Para contestar una llamada	Descuelgue el auricular
Coger una llamada externa	3
Coger la llamada a una extensión	82 + N° extensión
Coger la llamada a otra extensión del grupo	5

DESVÍO DE LLAMADAS

Pasar las llamadas a otra extensión (desde su teléfono)	85 + N° extensión
Pasar las llamadas a otra extensión (desde cualquier teléfono)	855 + N° extensión propio + N° extensión
Anular el desvío (desde su teléfono)	85 + *
Desviar a una extensión las llamadas no contestadas	86 + N° extensión
Anular el desvío de llamadas no contestadas	86 + *
Anular / habilitar el desvío de llamadas hacia su teléfono	889 / 888

ADMINISTRACIÓN DE LLAMADAS

Poner en espera /recuperar llamada en espera	#
Aparcar/recuperar una llamada aparcada	# + 4 / 4 (# + 3 / 3 para la operadora)
Recuperar una llamada aparcada por otra extensión	44 + N° extensión (con llamada aparcada)
Recuperar una llamada aparcada por la operadora	4 + N° línea (con llamada aparcada)
Pasar una llamada	# + N° extensión
Iniciar una conferencia a tres:	
* Con dos comunicantes externos	9 + N° teléfono + # + 4 + 9 + N° teléfono + # + 9
* Con dos extensiones	N° extensión + # + 5 + N° extensión + #
* Con un comunicante externo y una extensión	9 + N° teléfono + # + 5 + N° extensión + #
Desviar una llamada externa a un número externo	# + 4 + 9 + N° teléfono + # + 6
Para retener/colgar una línea externa	# + 9
Subir el volumen de una llamada externa	# + 55

CONTRASEÑAS

Establecer una contraseña	836 + contraseña (000..250)
Cambiar la contraseña	836 + contraseña actual+ contraseña nueva
Borrar la contraseña	836 + contraseña + *
Bloquear su teléfono	837 + contraseña + 1
Desbloquear su teléfono	837 + contraseña + 0

ALARMAS

Poner una alarma	838 + Hora + Minuto
Poner una alarma con mensaje ⁽¹⁾	8389 + Hora + Minuto + Mes.
Poner una alarma repetitiva (diaria)	8387 + Hora + Minuto
Poner una alarma repetitiva (diaria) con un mensaje ⁽¹⁾	83879 + Hora + Minuto + Mes.
Quitar todas las alarmas	838 + *

⁽¹⁾ Solo si se tiene instalado el Correo de Voz.

CONFIGURAR SU PROPIO TELÉFONO

Como hacer/quitar que el teléfono avise de las llamadas con un solo pitido	831 / 830
Como poner/quitar la música ambiental a través de su teléfono de manos libres	857 / 857
Activar/desactivar su avisador ⁽²⁾	741 / 740
Activar/desactivar el teléfono de cabeza	742 / 742
Añadir números a su memoria privada	84 + N° memoria privada + N° teléfono

MENSAJES⁽³⁾

Dejar un mensaje para una extensión	82 + Mensaje
Escuchar los nuevos mensajes recibidos	8646
Escuchar todos los mensajes recibidos	8645
Conservar el mensaje actual	8
Volver a escuchar el mensaje desde el principio	0
Saltar al siguiente mensaje	1
Borrar el mensaje que se está escuchando	9
Grabar la llamada externa	# + su N° de extensión
Dejar en su teléfono un mensaje temporal ("ausente")	8648 + Mes.
Grabar el mensaje del contestador automático	7372
Activar el contestador automático	7371
Desactivar el contestador automático	7370
Borrar el mensaje del contestador automático	7373

FUNCIONES PARA HOTELES

Activar desde la habitación el modo de vigilancia infantil	858 + deje el auricular descolgado
Vigilancia infantil: escuchar la habitación vigilada.	su N° de habitación + 9
Informar sobre el estado de la habitación	730 + 0 (limpia) / 1 (limpiando) / 2 (sucia)
Desviar sus llamadas hacia la habitación en la que se encuentra (el personal del hotel)	738 + N° personal (0..9)
Llamar a un miembro del personal (el/la operador/a)	738 + N° personal (0..9)

PORTERO AUTOMÁTICO

Hablar por el portero	110 (10 para capacidades de 4/12 o 6/18)
Abrir la puerta	151 (29 para capacidades de 4/12 o 6/18)
Abrir la puerta mientras se está hablando por el portero	2

LISTADOS DE LLAMADAS⁽⁴⁾

Listar las llamadas de una extensión o línea	8766 + N° extensión o 0+N° línea
Imprimir/dejar de imprimir el listado de todas las llamadas	8767 / 8768
Listar el coste total de todas las llamadas de una extensión	8764 + N° extensión
Borrar los registros de llamadas de determinada extensión o línea	8765 + N° extensión o 0 + N° línea
Listar los números de la memoria común.	746 or 826
Listar los parámetros de una extensión o línea.	839 + N° extensión o 0 + N° línea
Listar los parámetros de todas las extensiones y líneas.	8399
Saltar una página en la mini-impresora KY16	8763
Saltar una línea en la mini-impresora KY16	8762
Poner en pausa la mini-impresora KY16	8760
Reinicializar la mini-impresora KY16	8761

FUNCIONES EXCLUSIVAS DE LA OPERADORA

Trasferir una llamada para recuperarla cuando la extensión cuelgue	# + 0 + N° extensión
Aparcar/recuperar múltiples llamadas	# + 4 / 4
Activar el generador de música interno	8322
Activar el equipo de música externo	8321
Desactivar la música	8320
Poner en hora la Centralita	88 + Hora + Minuto
Poner la fecha	833 + día + mes + Año (dos dígitos)
Activar/desactivar el modo nocturno	879 / 878
Añadir números a la memoria común	834 + N° memoria común + N° teléfono
Poner una alarma en una extensión	8388 + N° extensión. + Hora + Minuto
Poner una alarma en una extensión con un mensaje ⁽³⁾	83889 + N° extensión + Hora + Minuto + Mes.
Anular una alarma de extensión	8388 + N° extensión + *
Activar/desactivar las operadoras en paralelo	8561 / 8560
Desviar llamadas externas a un número externo.	835 + N° línea + N° teléfono
Anular un desvío de llamadas al exterior	835 + N° línea + *
Cambiar el estado de una habitación	730 + N° extensión + 1 (libre) / 2 (ocupada) / 3 (reservada) / 4 (fuera de servicio)
Consultar el estado de la habitación	731 + N° extensión + 1 / 2 (imprimir) + 1 / 2 (imprimir)
Para informar al Sistema de la llegada (check-in) / partida (check-out)	732 + N° extensión + 1 (check-in) / 2 (check-out)

⁽²⁾ Solo si se ha instalado el buscapersonas local.

⁽³⁾ Solo si se tiene instalado el Correo de Voz.

⁽⁴⁾ Solo disponible si se ha instalado alguno de los equipos de impresión compatibles con la Centralita.

Nota

Si su centralita no funcionara como espera, compare su funcionamiento con lo descrito en este Manual. Si el problema persiste, póngase en contacto con su instalador o proveedor.

Algunas de las operaciones o funciones descritas en este manual difieren de un país a otro. En consecuencia es posible que algunas de ellas no funcionen adecuadamente, o no funcionen en absoluto en su país. En ese caso contacte, por favor, con su distribuidor autorizado para que le informe de las especificaciones pertinentes.

